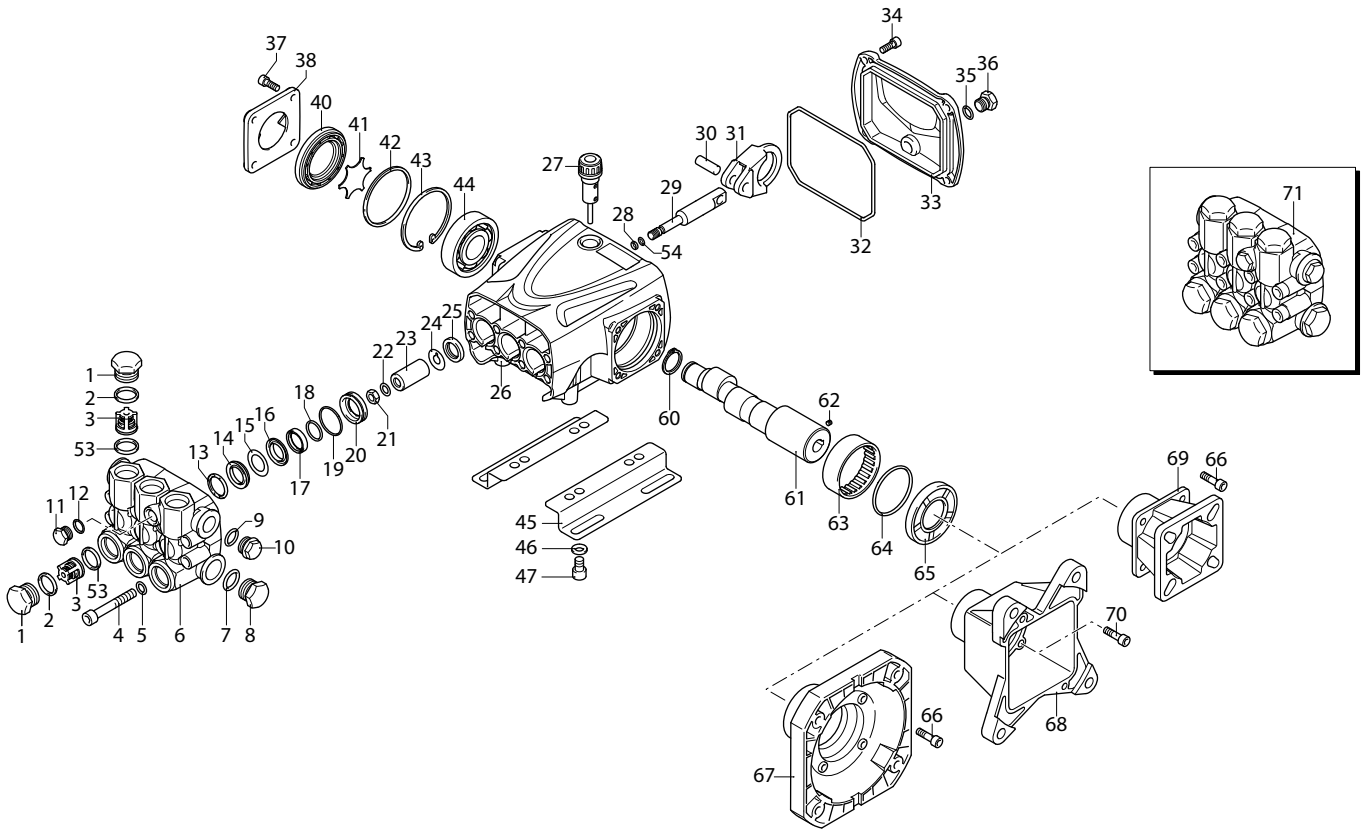


RRV
RRV
RRV

NOISEA NOISEA NOISEA
E
D
D

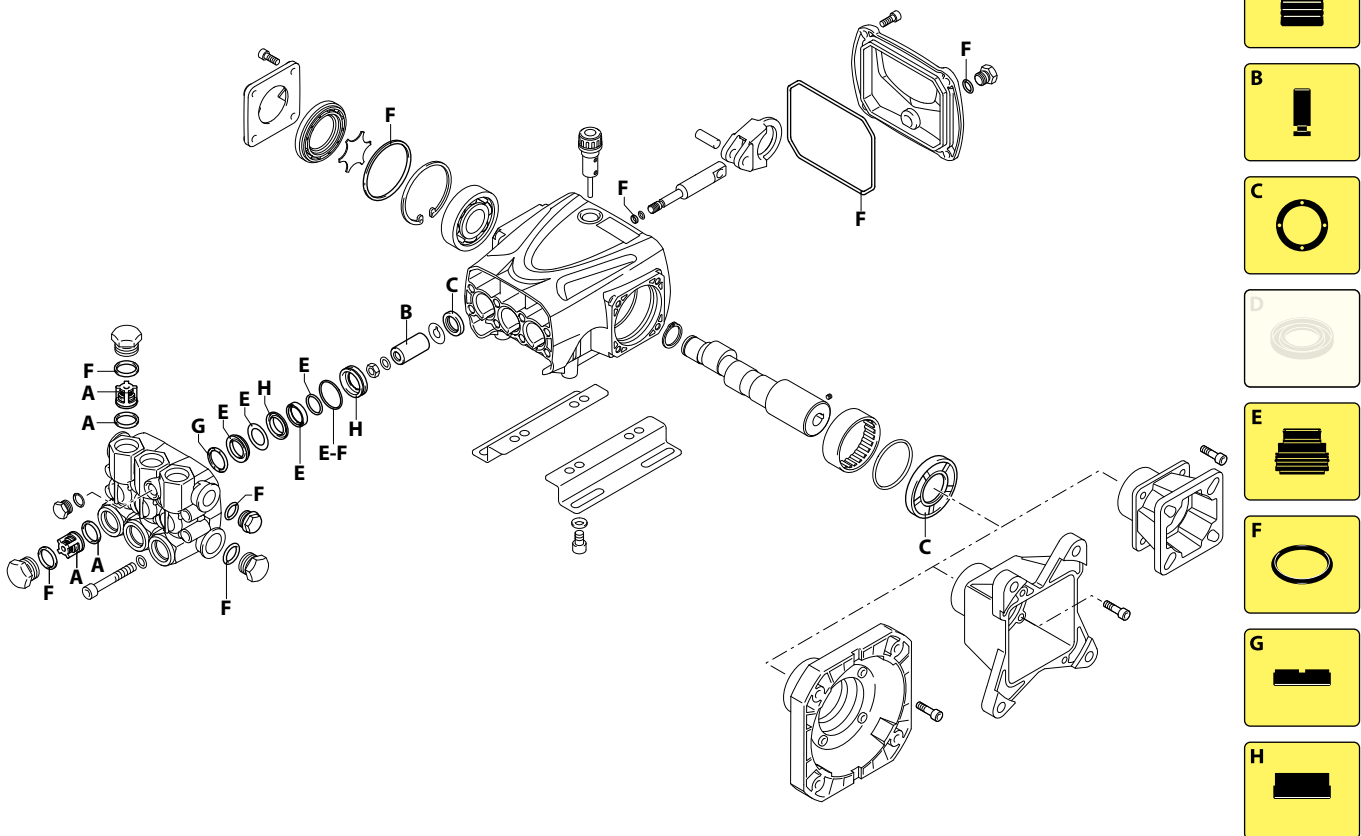
3400_{rpm}
3400_{rpm}
3400_{rpm}

∅ 5/8"
∅ 3/4"
∅ 1"



UN003432-FU

PART KITS / 配套零件



UN003433-FU

322 Series

RRV 3400 rpm E version ø 5/8" for electric motor (60Hz) 56-C

3 G25 3.5 G20

RRV 3400 rpm D version ø 3/4" for horizontal PTO shaft gas engine

3 G27 3.5 G25

RRV 3400 rpm D version ø 1" for horizontal PTO shaft gas engine

3 G30 3 G36 3.5 G36



Pos. 序号	Cod. 编号	Description	描述	Qt 数量	Note 备注	Pos. 序号	Cod. 编号	Description	描述	Qt 数量	Note 备注
1	960090	Plug	阀盖	6	C=54Nm	44	1981210	Bearing	轴承	1	
2	960160	O-ring Ø 17,86x2,62	O型圈	6		45	3200210	Foot	支架	2	Optional
3	889052	Complete valve	单向阀	6		46	1322640	Washer	垫圈	4	Optional
4	800860	Screw TCEI M8x55	螺钉 M8x55	8	C=25,4Nm	47	850250	Screw TCEI M8x12	螺丝 M8x12	4	Optional
5	1381850	Washer	垫片	8		53	880830	O-ring Ø 15,54x2,62	O型圈	6	
6	3220090	Head	泵头	1		54	1080550	Ring antiestruzione	耐磨环	3	
7	180101	O-ring Ø 17,5x2	O型圈	1		60	1260770	Ring seeger Øe 25	挡圈	1	
8	820361	Plug 1/2" G ottone	闷头	1	C=40Nm		3220530	Shaft marcato 6	轴 MARK 6	1	◆
9	740290	O-ring Ø 14x1,78	O型圈	1			3220540	Shaft marcato 7	轴 MARK 7	1	+
10	1980740	Plug 3/8" G ottone	闷头	1	C=25Nm		3220490	Shaft marcato 6	轴 MARK 6	1	✕
11	880581	Plug 1/4" G	闷头	1	C=15Nm		3220500	Shaft marcato 7	轴 MARK 7	1	✕
12	820510	O-ring Ø 10,82x1,78	调压阀套O型圈	1			3220240	Shaft marcato 5	轴 MARK 5	1	⊗
13	2760220	Ring appoggio Ø15	支撑环	3			3220450	Shaft marcato 6	轴 MARK 6	1	✓
14	1342761	Gasket Ø 15	水封	3			3220460	Shaft marcato 7	轴 MARK 7	1	★
15	3200680	Ring antiestruzione	水封保护环	3		62	820440	Screw M6x6	紧定螺丝	1	✕ ⊗ ⊕ ✓ ★
16	3220150	Piston guide	前柱塞套	3		63	3220260	Bearing	滚针轴承	1	
17	3200690	Gasket Ø 15	活塞水封	3		64	3220430	O-ring Ø 56,87x1,78	O型圈	1	
18	3200700	Ring antiestruzione	耐磨环	3		65	3220270	Ring tenuta	油封	1	
19	770260	O-ring Ø 23,52x1,78	O型圈	3		66	780060	Screw TCEI M6x25	螺钉 M6x25	4	C=10,4Nm
20	3220140	Piston guide	后柱塞套	3		67	3220210	Flange	电机法兰	1	+
21	1260110	Nut M8	螺母 M8	3	C=12Nm	68	3220250	Flange	电机法兰	1	✕ ⊗
22	1260100	Washer	活塞垫圈	3		69	3220230	Flange	电机法兰	1	⊗ ✓ ★
23	1780070	Piston Ø 15	陶瓷柱塞	3		70	780330	Screw TCEI M6x20	螺钉 M6x20	4	+
24	1260091	Plate	分隔碟	3		71	3229201	Head assembly	泵头组件	1	+
25	1260460	Oil seal	油封	3							
26	3220010	Pump body	泵体	1							
27	880130	Plug	油尺	1	C=5Nm						
28	480480	O-ring Ø 4,48x1,78	O型圈	3							
29	3220060	Piston di guida	柱塞套	3							
30	3220070	Pin	销子	3							
31	3220040	Connecting-rod	铝连杆	3							
32	651540	O-ring Ø 107,62x2,62	O型圈	1							
33	3220030	Cover	后盖	1							
34	3200220	Screw TCEI 6x16	自攻螺丝	4	C=8Nm						
35	820510	O-ring Ø 10,82x1,78	调压阀套O型圈	1							
36	880581	Plug 1/4" G	闷头	1	C=15Nm						
37	1200430	Screw TCEI M6x16	螺丝 M16x16	4	C=10,4Nm						
38	3200070	Support	泵体边盖	1							
40	3220080	Level gauge	油标	1							
41	3200090	Plate	金属片	1							
42	650560	O-ring Ø 56,82x2,62	O型圈	1							
43	200390	Ring seeger Øi 62	卡簧	1							

PART KITS - 配套零件

A=KIT 1828 valves 单向阀		B=KIT 2739 pistons 柱塞		C=KIT 42555 oil seals 油封		E=KIT 42556 water seals 水封	
Pos. 序号	Q.ty 数量	Pos. 序号	Q.ty 数量	Pos. 序号	Q.ty 数量	Pos. 序号	Q.ty 数量
3	6	23	3	25	3	14	3
53	6			52	1	15	3
						17	3
						18	3
						19	3

F=KIT 42550 O-Rings O型圈				G=KIT 2191 support rings 支撑环		H=KIT 42557 pistons guide 柱塞套	
Pos. 序号	Q.ty 数量	Pos. 序号	Q.ty 数量	Pos. 序号	Q.ty 数量	Pos. 序号	Q.ty 数量
2	6	42	1	13	3	16	3
7	1					20	3
9	1						
19	3						
28	3						
32	1						
35	1						

SIMBOLOGIA - 标记

+	Per / For RRV 3 G25 E	✦	Per / For RRV 3 G27 D	⊗	Per / For RRV 4 G36 D	★	Per / For RRV 3 G30 D RRV 3 G36 D
◆	Per / For RRV 3.5 G20 E	✕	Per / For RRV 3.5 G25 D	✓	Per / For RRV 3.5 G36 D		

- C Tightening torque tolerance 0÷10% | 拧紧力矩公差 0÷10%
- ⊕ Screw with Loxeal 55-14 | 用 Loxeal 55-14 螺丝
- ✕ Lubricate with grease Molykote PG54 | 用 Molykote PG54 润滑
- ⊗ Lubricate with grease Molykote G807 | 用 Molykote G807 润滑

Oil - 机油	
Type / 类型	Quantity / 数量
SAE 15W40	0,35 Kg